

Technical data sheet

Product features



Electric range with static oven

Model	SAP Code	00014786
--------------	-----------------	----------



- Device type: Electric unit
- Type of internal part of the appliance 1 (eg oven): Electric
- Type of internal part of the appliance 2 (eg oven): Static
- Protection of controls: IP24
- Material: AISI 304 top plate and cladding

SAP Code	00014786	Power electric [kW]	21.900
Net Width [mm]	1200	Loading	400 V / 3N - 50 Hz
Net Depth [mm]	730	Type of internal part of the appliance 1 (eg oven)	Electric
Net Height [mm]	900	Type of internal part of the appliance 2 (eg oven)	Static
Net Weight [kg]	126.00		

Technical data sheet

Technical drawing

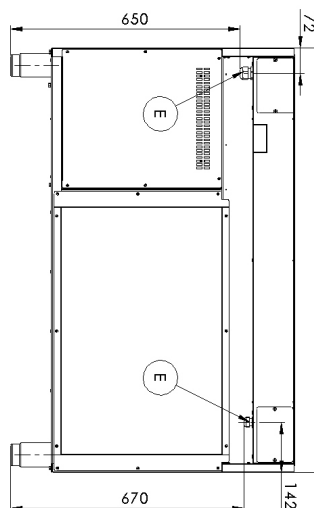
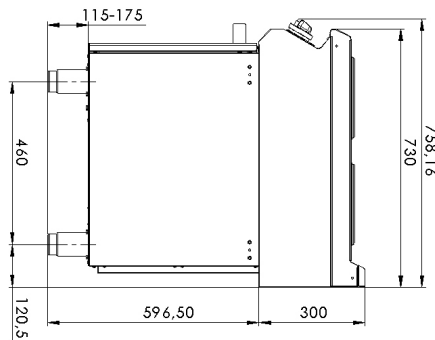
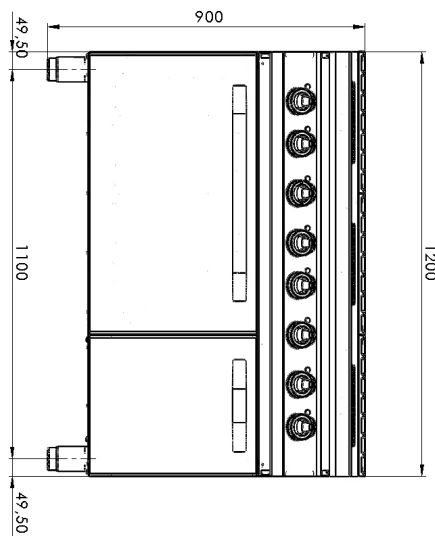


Electric range with static oven

Model

SAP Code

00014786



Technical data sheet

Technical parameters



Electric range with static oven

Model

SAP Code

00014786

1. SAP Code:

00014786

2. Net Width [mm]:

1200

3. Net Depth [mm]:

730

4. Net Height [mm]:

900

5. Net Weight [kg]:

126.00

6. Gross Width [mm]:

1260

7. Gross depth [mm]:

820

8. Gross Height [mm]:

1080

9. Gross Weight [kg]:

142.00

10. Device type:

Electric unit

11. Construction type of device:

Stationary

12. Power electric [kW]:

21.900

13. Loading:

400 V / 3N - 50 Hz

14. Protection of controls:

IP24

15. Device color:

Stainless steel

16. Material:

AISI 304 top plate and cladding

17. Indicators:

operation

18. Worktop type:

Molded - comfortable cleaning maintenance

19. Worktop material:

AISI 304

20. Worktop Thickness [mm]:

1.50

21. Maximum device temperature [°C]:

300

22. Minimum device temperature [°C]:

50

23. Service accessibility:

Trough the frontal panel

24. Number of burners/hot plates:

6

25. Type of electric cooking zones:

Oval

26. Oven Type:

electrical static

27. Oven power electric [kW]:

6.30

28. Oven size:

GN 2/1

Technical data sheet

Technical parameters



Electric range with static oven

Model

SAP Code

00014786

29. Type of internal part of the appliance 1 (eg oven):

Electric

32. Maximum temperature of the inner chamber [Å°C]:

300

30. Type of internal part of the appliance 2 (eg oven):

Static

33. Minimum temperature of the inner chamber [Å°C]:

50

31. Gasket:

Yes